

Console unit



HEALTH



Durable air filter



Washable air filter



R32 Refrigerant

CONVENIENCE



Wireless controller



24H timer



In-built Wi-Fi module



Optional wired controller

COMFORT



Cooling mode



Fast cooling / heating



Heating mode



Auto mode

COMFORT



Fan mode



Dehumidification mode



Vertical movement of the air louvers



Anti-Cold-Air mode



Night mode



I FEEL mode



Turbo mode

TECHNOLOGY



Inverter technology



Intelligent defrosting



Hydrophilic aluminium blades



Automatic restart



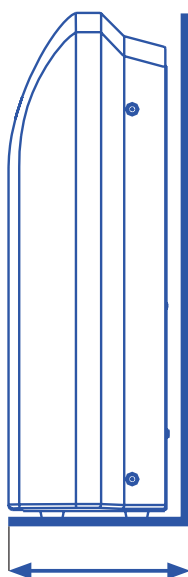
Super EMC

TECHNOLOGY



Cooling in low temperatures

vertical installation against the wall



225 mm

Easy installation and flat design

The console-type unit design allows for easy integration of the device into any interior. Wall-mounted installation does not require any additional housing. The unit's exceptionally slim depth – only 230 mm – makes it suitable even for confined spaces.

The air flow in the air conditioner can be adjusted according to the room type and personal preferences. The lower air outlet functions similarly to underfloor heating, providing a pleasant temperature. The upper air outlet ensures more efficient operation compared to underfloor heating, delivering comfort throughout the entire room.

Highest quality compressor

Both indoor and outdoor units use advanced DC inverter technology, which is characterised by high efficiency and energy savings. This allows the systems to operate more effectively, significantly reducing energy consumption. Inverter technology enables smooth adjustment of the unit's power to meet current needs, eliminating energy losses caused by frequent switching on and off.



Console units

K Series

AUX-K-(12/16)



Model			AUX-K12	AUX-K16
Cooling efficiency	[kW]		3,50 (1,35 - 4,40)	4,70 (1,53 - 5,60)
	[Btu/h]		12000 (4600 - 15000)	16036 (5200 - 19100)
Heating efficiency	[kW]		3,50 (1,24 - 5,30)	5,00 (1,40 - 6,20)
	[Btu/h]		12000 (4200 - 18100)	17060 (4800 - 21200)
Power supply	[V~,Hz,Ph]		220-240, 50, 1	220-240, 50, 1
Power consumption in cooling mode	[W]		1030 (260 - 1600)	1450 (470 - 2300)
Power consumption in heating mode	[W]		940 (190 - 1510)	1340 (460 - 2250)
Fan motor power	[W]		35	35
Fan speed (high / medium / low)	[rpm]		650 / 590 / 550 / 480	690 / 610 / 550 / 480
Airflow rate (high / medium / low)	[m3/h]		600 / 530 / 430	650 / 550 / 450
Sound pressure level	[dB(A)]		42 / 39 / 36	44 / 40 / 37
Sound power level	[dB(A)]		52	56
Unit dimensions (width x depth x height)	[mm]		700 x 225 x 600	700 x 225 x 600
Weight of the unit (net)	[kg]		15,0	15,0
Refrigerant gas	-		R32	R32
Pipe connections (diameter)	Liquid	[mm(inch)]	6,35 (1/4)	6,35 (1/4)
	Gas	[mm(inch)]	12,70 (1/2)	12,70(1/2)
	Condensate	[mm]	20	20
Outdoor unit			AUX-C-12CAO	AUX-C-18CAO
Power supply	[V~,Hz,Ph]		220-240, 50, 1	220-240, 50, 1
Compressor type	-		rotary	rotary
Airflow rate	[m³/h]		2000	2600
Sound pressure level	[dB(A)]		54	55
Sound power level	[dB(A)]		64	65
Dimensions of the outdoor unit	[mm]		709 x 280 x 536	785 x 300 x 555
Weight of the outdoor unit (net)	[kg]		23,0	29,0
Refrigerant gas	Type	-	R32	R32
	Factory charge	[kg]	0,78	1,03
Pipe connections (diameter)	Liquid	[mm(inch)]	6,35 (1/4)	6,35 (1/4)
	Gas	[mm(inch)]	12,70 (1/2)	12,70 (1/2)
	Condensate	[mm(inch)]	DN20 (R3/4)	DN20 (R3/4)
Maximum piping length	[m]		25	30
Maximum height difference	[m]		10	20
Operation of the ODU (external temperature)	Cooling	[°C]	-15~52	-15~52
	Heating	[°C]	-22~24	-22~24
Operating temperature range	[°C]		16~32	16~32

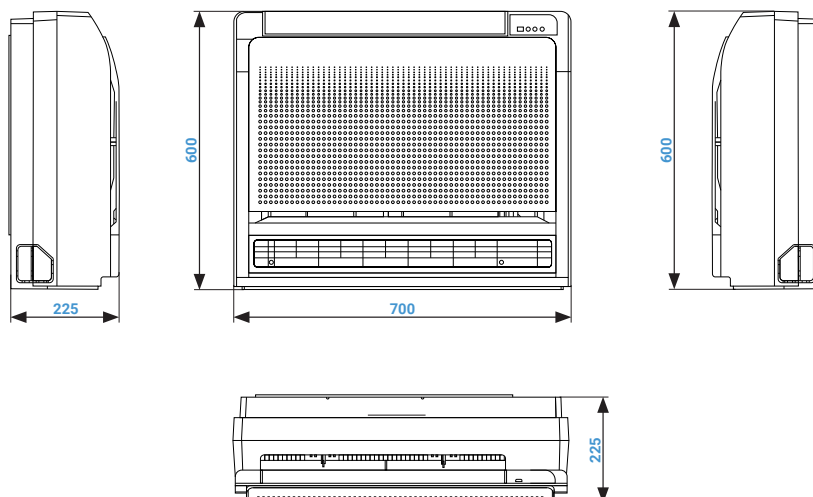
Air conditioning units contain fluorinated greenhouse gases R32.

We reserve the right to errors in descriptions, appearance, functions, technical parameters, and dimensional drawings resulting from the continuous improvement of our devices.

AUX

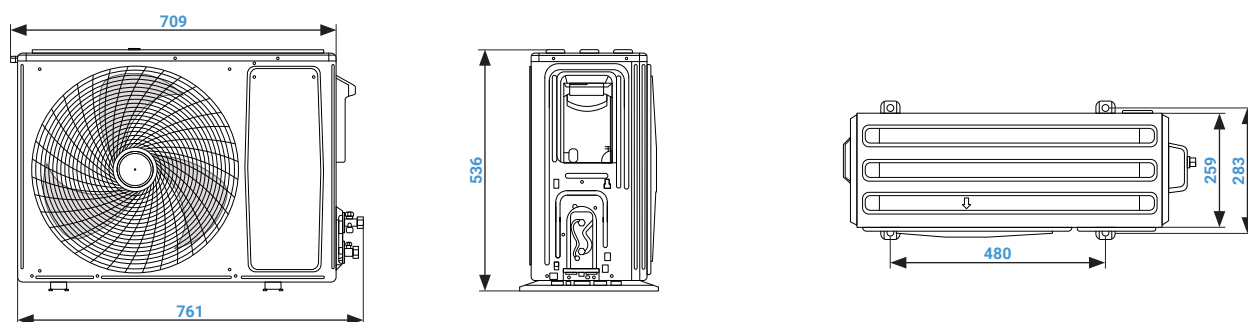
Console units

AUX-K-12/16/I



Outdoor units

AUX-C-12CA0



AUX-C-18CA0

