

## Cassette units

AUX-C-(12/18/24/36/42/48/60)CAC



## HEALTH



Washable  
air filter

## ECOLOGY



R32  
Refrigerant

## CONVENIENCE



Wireless  
controller



24H  
timer

## COMFORT



Cooling  
mode



Fast cooling /  
heating



Heating  
mode



Auto  
mode



Fan  
mode

## COMFORT



Dehumidification  
mode



Vertical  
movement of  
the air louvers



Anti-Cold-Air  
mode



Night  
mode



I FEEL  
mode



Turbo

Turbo  
mode

## TECHNOLOGY



DC  
INVERTER



Intelligent  
defrosting



Hydrophilic  
aluminium  
blades



Automatic  
restart



SUPER  
EMC



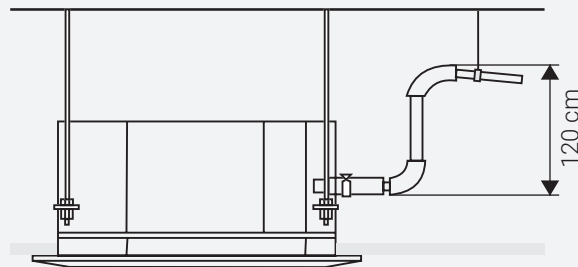
Cooling in low  
temperatures

We reserve the right to errors in descriptions, appearance, functions, technical parameters, and dimensional drawings resulting from the continuous improvement of our devices.

## In-built condensate pump

### Lift height up to 120 cm

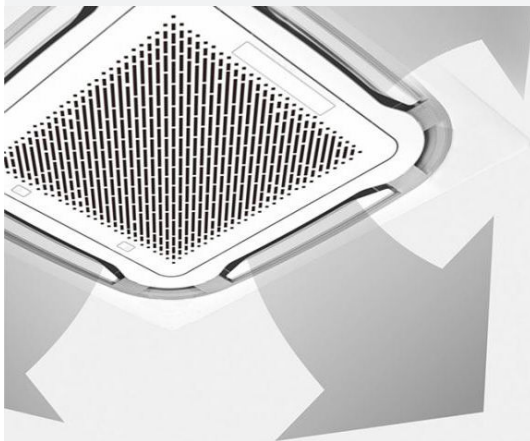
The cassette unit is equipped with a condensate pump, which allows the drainage of water condensate up to a height of 120 cm above the level of the condensate tray.



## Perimeter airflow 360°

### Effective air distribution

Thanks to the specially designed construction of the decorative panel, the AUX cassette air conditioner can cool every corner of the room and provide maximum comfort to all users. Additional outlets in the corners of the panel allow air to be directed in all directions, eliminating the possibility of creating zones with uneven temperature distribution. The perimeter airflow technology ensures the delivery of cooled air in a 360° range and guarantees effective air conditioning, even in large spaces.



# Cassette units

## CAC Series

AUX-C-(12/18/24)CAC



Model			AUX-C-12CAC	AUX-C-18CAC	AUX-C-24CAC
Cooling efficiency		[kW]	3,52 (1,35 - 4,40)	5,28 (1,53 - 5,60)	7,03 (2,16 - 8,20)
		[Btu/h]	12000 (4600 - 15000)	18000 (5200 - 19100)	24000 (7400 - 28000)
Heating efficiency		[kW]	3,81 (1,24 - 5,30)	5,60 (1,40 - 6,20)	7,91 (1,98 - 9,30)
		[Btu/h]	13000 (4200 - 18100)	19100 (4800 - 21200)	27300 (6800 - 31700)
Power consumption	Cooling	[kW]	1,03 (0,26 - 1,60)	1,55 (0,47 - 2,30)	2,10 (0,67 - 3,30)
	Heating	[kW]	1,02 (0,19 - 1,51)	1,51 (0,46 - 2,25)	2,13 (0,65 - 3,30)
Current consumption	Cooling	[A]	4,48 (1,13 - 6,96)	6,74 (2,04 - 10,00)	9,13 (2,91 - 14,35)
	Heating	[A]	4,43 (0,83 - 6,57)	6,57 (2,00 - 9,78)	9,26 (2,83 - 14,35)
EER / COP		-	3,41 / 3,73	3,41 / 3,71	3,35 / 3,71
SEER / SCOP		-	6,10 / 4,00	6,10 / 4,00	6,10 / 4,00
Energy efficiency class	Cooling	-	A++	A++	A++
	Heating	-	A+	A+	A+
Indoor unit			AUX-C-12CAC/I	AUX-C-18CAC/I	AUX-C-24CAC/I
Decorative panel		-	AUX-P-01	AUX-P-01	AUX-P-02
Power supply		[V~,Hz,Ph]	220-240, 50, 1	220-240, 50, 1	220-240, 50, 1
Fan motor power		[W]	30	30	100
Fan speed (high/medium/low)		[rpm]	720 / 660 / 530	840 / 720 / 660	580 / 530 / 470
Airflow rate (high/medium/low)		[m³/h]	700 / 620 / 530	760 / 650 / 580	1500 / 1350 / 1200
Sound pressure level (high/medium/low)		[dB(A)]	42 / 38 / 35	44 / 41 / 38	46 / 45 / 43
Sound power level		[dB(A)]	52	56	56
Dimensions of the indoor unit		[mm]	570 x 570 x 260	570 x 570 x 260	840 x 840 x 246
Weight of the indoor unit (net)		[kg]	15,5	15,5	26,0
Dimensions of the panel		[mm]	650 x 650 x 55	650 x 650 x 55	950 x 950 x 55
Weight of the panel (net)		[kg]	2,2	2,2	5,3
Outdoor unit			AUX-C-12CAO	AUX-C-18CAO	AUX-C-24CAO
Power supply		[V~,Hz,Ph]	220-240, 50, 1	220-240, 50, 1	220-240, 50, 1
Compressor type		-	rotary	rotary	rotary
Airflow rate		[m³/h]	2000	2600	4200
Sound pressure level		[dB(A)]	54	55	58
Sound power level		[dB(A)]	64	65	68
Dimensions of the outdoor unit		[mm]	709 x 283 x 536	785 x 300 x 555	900 x 350 x 700
Weight of the outdoor unit (net)		[kg]	23	29	43
Refrigerant gas	Type	-	R32	R32	R32
	Factory charge	[kg]	0,78	1,03	1,45
Pipe connections (diameter)	Liquid	[mm(inch)]	6,35 (1/4)	6,35 (1/4)	9,52 (3/8)
	Gas	[mm(inch)]	12,70 (1/2)	12,70 (1/2)	15,88 (5/8)
	Condensate	[mm(inch)]	DN20 (R3/4)	DN20 (R3/4)	DN20 (R3/4)
Maximum piping length		[m]	25	30	50
Maximum height difference		[m]	10	20	25
Operation of the ODU (external temperature)	Cooling	[°C]	-15~52	-15~52	-15~52
	Heating	[°C]	-22~24	-22~24	-22~24
Operating temperature range		[°C]	16~32	16~32	16~32

We reserve the right to errors in descriptions, appearance, functions, technical parameters, and dimensional drawings resulting from the continuous improvement of our devices.

# AUX

# Cassette units

## CAC Series

### AUX-C-(36/42/48/60)CAC



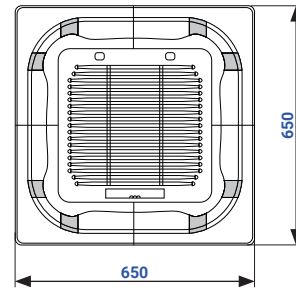
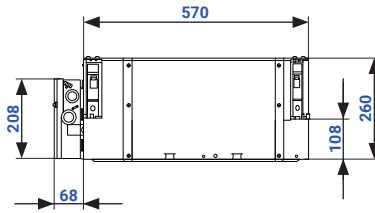
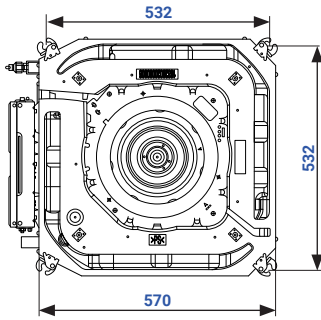
Model		AUX-C-36CAC	AUX-C-42CAC	AUX-C-48CAC	AUX-C-60CAC	
Cooling efficiency	[kW]	10,55 (2,90 - 11,50)	12,10 (2,90 - 12,50)	14,00 (4,76 - 14,50)	16,00 (4,76 - 17,50)	
	[Btu/h]	36000 (9800 - 39200)	42000 (9800 - 42600)	48000 (16241 - 49474)	55000 (16241 - 59710)	
Heating efficiency	[kW]	11,15 (2,60 - 12,00)	13,50 (2,60 - 14,50)	16,00 (4,78 - 17,30)	17,00 (4,78 - 18,50)	
	[Btu/h]	38000 (8800 - 40900)	46000 (8800 - 49400)	55000 (16309 - 59028)	58000 (16308 - 63122)	
Power consumption	Cooling [kW]	3,30 (0,71 - 4,20)	3,80 (0,71 - 4,50)	4,65 (1,71 - 5,90)	5,25 (1,71 - 6,85)	
	Heating [kW]	3,00 (0,47 - 3,70)	3,50 (0,47 - 4,20)	4,58 (1,71 - 6,05)	5,05 (1,71 - 7,00)	
Current consumption	Cooling [A]	14,50 (3,20 - 19,50)	17,00 (3,20 - 20,00)	8,10 (1,50 - 12,00)	9,00 (1,50 - 12,00)	
	Heating [A]	13,00 (2,43 - 16,00)	16,00 (2,43 - 18,50)	8,00 (1,50 - 12,00)	8,50 (1,50 - 12,00)	
EER / COP	-	3,20 / 3,72	3,18 / 3,86	3,01 / 3,49	3,05 / 3,37	
SEER / SCOP	-	6,10 / 4,00	... / ...	... / ...	... / ...	
Energy efficiency class	Cooling	-	A++	A++	A++	
	Heating	-	A+	A+	A+	
Indoor unit		AUX-C-36CAC/I	AUX-C-42CAC/I	AUX-C-48CAC/I	AUX-C-60CAC/I	
Decorative panel	-	AUX-P-02	AUX-P-02	AUX-P-02	AUX-P-02	
Power supply	[V~,Hz,Ph]	220-240, 50, 1	220-240, 50, 1	220-240, 50/60, 1	220-240, 50/60, 1	
Fan motor power	[W]	100	100	100	100	
Fan speed (high/medium/low)	[rpm]	750 / 700 / 650	750 / 700 / 650	750 / 700 / 650	750 / 700 / 650	
Airflow rate (high/medium/low)	[m³/h]	2000 / 1700 / 1600	2000 / 1700 / 1600	2000 / 1700 / 1600	2000 / 1700 / 1600	
Sound pressure level (high/medium/low)	[dB(A)]	52 / 50 / 48	52 / 50 / 48	51 / 49 / 47	53 / 49 / 47	
Sound power level	[dB(A)]	62	62	62	52	
Dimensions of the indoor unit	[mm]	840 x 840 x 288	840 x 840 x 288	840 x 840 x 288	840 x 840 x 288	
Weight of the indoor unit (net)	[kg]	29,0	29,0	29,5	29,5	
Dimensions of the panel	[mm]	950 x 950 x 55	950 x 950 x 55	950 x 950 x 55	950 x 950 x 55	
Weight of the panel (net)	[kg]	5,3	5,3	5,3	5,3	
Outdoor unit		AUX-C-36CAO	AUX-C-42CAO	AUX-C-48CAO	AUX-C-60CAO	
Power supply	[V~,Hz,Ph]	220-240, 50, 1	220-240, 50, 1	380-415, 50, 3	380-415, 50, 3	
Compressor type	-	rotary	rotary	rotary	rotary	
Airflow rate	[m³/h]	4000	4000	7200	7200	
Sound pressure level	[dB(A)]	59	60	60	60	
Sound power level	[dB(A)]	69	70	70	70	
Dimensions of the outdoor unit	[mm]	970 x 395 x 805	970 x 395 x 805	940 x 370 x 1325	940 x 370 x 1325	
Weight of the outdoor unit (net)	[kg]	61	61	81	85	
Refrigerant gas	Type	-	R32	R32	R32	
	Factory charge	[kg]	2,75	2,75	2,70	3,05
Pipe connections (diameter)	Liquid	[mm(inch)]	9,52 (3/8)	9,52 (3/8)	9,52 (3/8)	9,52 (3/8)
	Gas	[mm(inch)]	15,88 (5/8)	15,88 (5/8)	15,88 (5/8)	15,88 (5/8)
	Condensate	[mm(inch)]	DN20 (R3/4)	DN20 (R3/4)	DN20 (R3/4)	DN20 (R3/4)
Maximum piping length	[m]	65	65	65	65	
Maximum height difference	[m]	30	30	30	30	
Operation of the ODU (external temperature)	Cooling	[°C]	-15~52	-15~52	-15~52	-15~52
	Heating	[°C]	-22~24	-22~24	-22~24	-22~24
Operating temperature range	[°C]	16~32	16~32	16~32	16~32	

We reserve the right to errors in descriptions, appearance, functions, technical parameters, and dimensional drawings resulting from the continuous improvement of our devices.

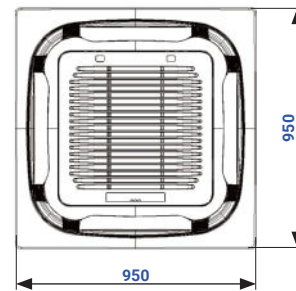
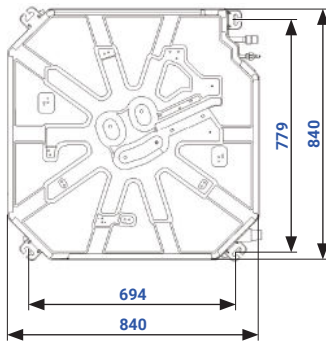
# AUX

# Cassette units

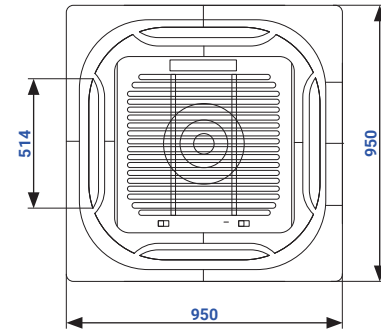
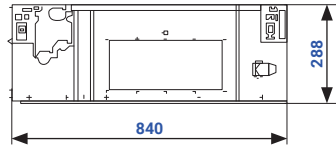
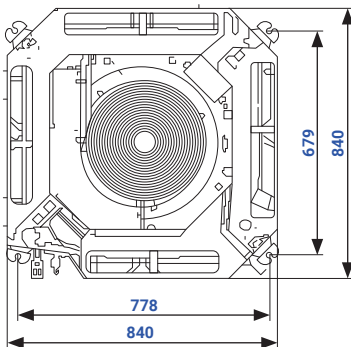
AUX-C-12CAC/I AUX-18CAC/I



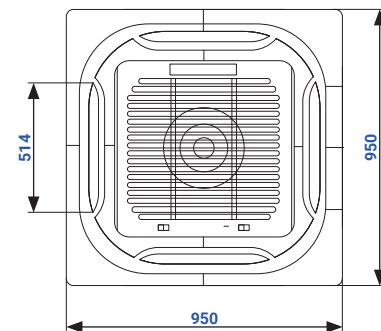
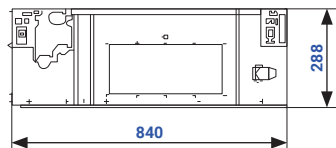
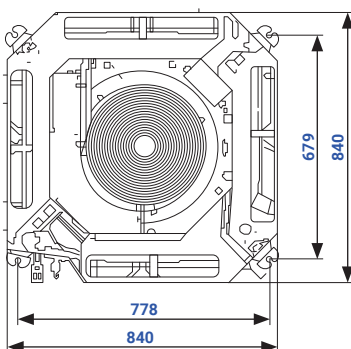
AUX-C-24CAC/I



AUX-C-36CAC/I AUX-42CAC/I

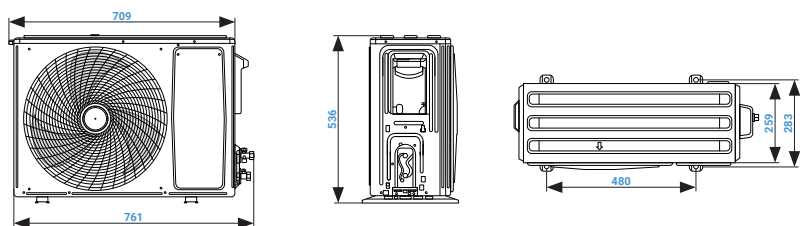


AUX-C-48CAC/I AUX-60CAC/I

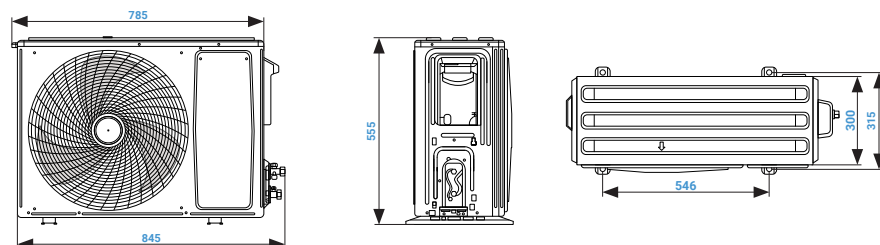


# Outdoor units

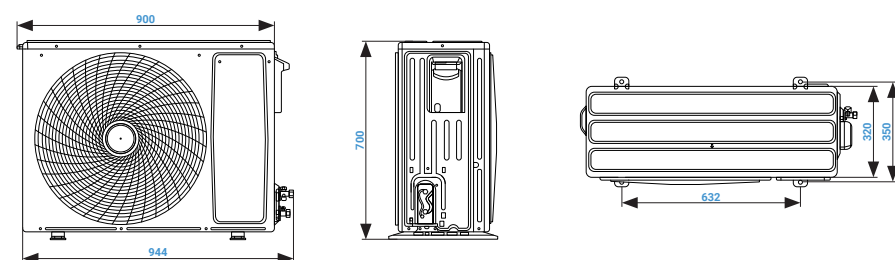
AUX-C-12CAO



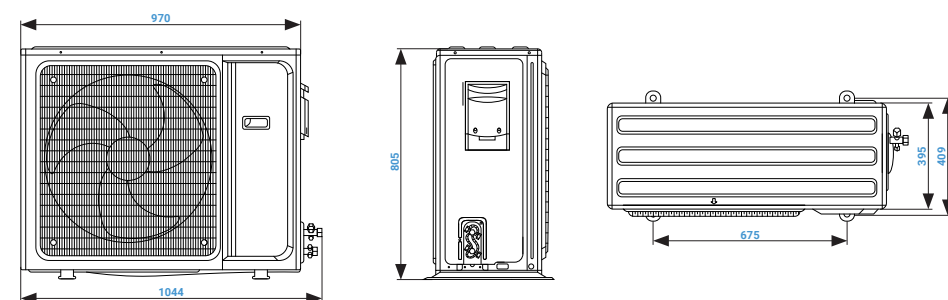
AUX-C-18CAO



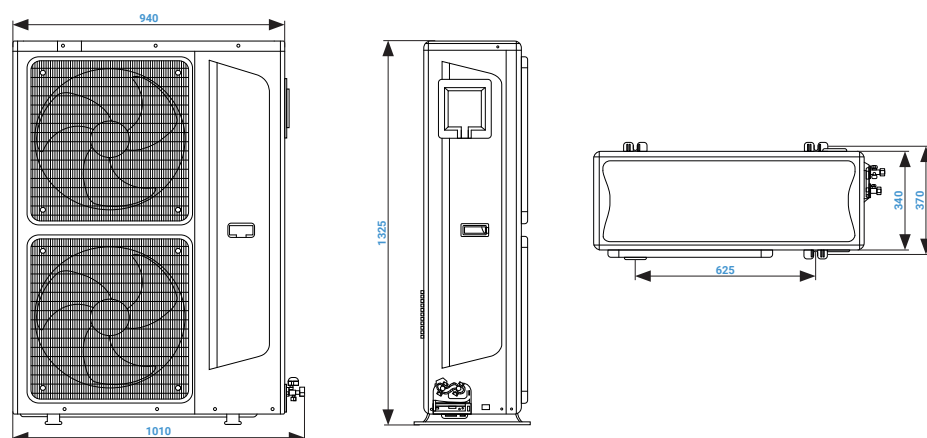
AUX-C-24CAO AUX-C-30CAO



AUX-C-36CAO AUX-C-42CAO



AUX-C-48CAO AUX-C-60CAO



We reserve the right to errors in descriptions, appearance, functions, technical parameters, and dimensional drawings resulting from the continuous improvement of our devices.