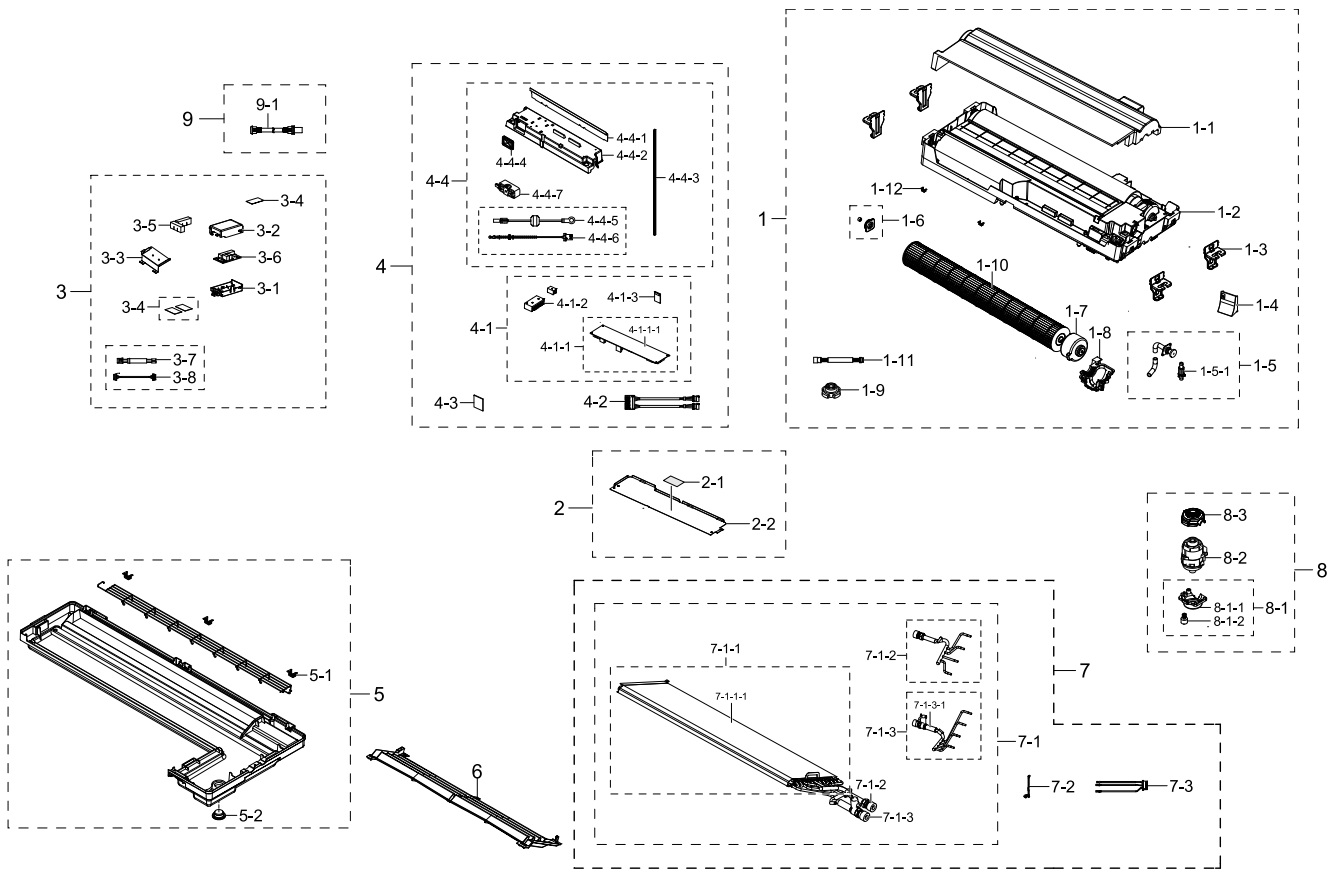


1. AG026TN1DKH/TK

Exploded View



Parts List

No.	Lvl.	Loc.	Material Code	Description & Specification	SNA	Qty.
1	3	A0071	DB94-05820F	ASSY BACK BODY; AJ040MB1PBC1	SA	1
1-1	4	A3096	DB64-01764A	SEAL CUSHION-CABI; -,EPS,WHITE,T7,W310,L8	SNA	1
1-2	4		DB64-01763B	CABINET-IN; AIXCSH040B1,ABS,T2.5,-,-,-,-,-	SA	1
1-3	4	P0229	DB61-03836A	PLATE-HANGER; -,GI-SGCC,T1.2,-,-,-,-,-,-,-	SA	4
1-4	4		DB61-05077B	CASE-SPI NONE; DVM,HIPS,T2,L76.5,BLACK,S8	SA	1
1-5	4	A0948	DB94-01546A	ASSY-DRAIN SOCKET; R410a,AVXCSH040B2,SLIM	SA	1
1-5-1	5	V0020	DB62-04236A	VALVE CHECK; PPO,BLACK,1-1,8	SA	1
1-6	4	A0118	DB94-00258A	ASSY BEARING; G-PJT,CR,BLK	SA	1
1-7	4		DB31-00636G	MOTOR BLDC FAN; DB31-00636G,1500rpm,310V,	SA	1
1-8	4	C1440	DB63-01698A	COVER MOTOR; AIXCSH040B1,ABS,T2,-,-,-,-,-	SA	1
1-9	4	R0184	DB73-00522A	RUBBER BRACKET; NBR,BLACK	SA	1
1-10	4	A0821	DB94-00040Y	ASSY FAN CROSS; AIXCSH040B1,SLIM 1WAY CST	SA	1

Exploded Views and Parts List

No.	Lvl.	Loc.	Material Code	Description & Specification	SNA	Qty.
1-11	4	A0626	DB93-08418A	ASSY CONNECTOR WIRE; 4,2095,26,BLK,SMH250	SA	1
1-12	4		DB61-03127A	BRACKET-PAN; -,GI-SGCC,T1,-,-,-,-,-,-,-	SA	2
2	2	A2635	DB90-10782A	ASSY COVER CONTROL; AG032MN1DBH1,FCU, JSF	SA	1
2-1	3		DB62-11392A	SEAL PLATE; POLYESTER,T1,W30,L50	SA	1
2-2	3	P0348	DB70-00754A	PLATE-COVER CONTROL; AIXCSH040B1,GI-SGCC,	SA	1
3	3		DB90-10855A	ASSY BRACKET-HOLDER; FCU,JSF1,JSF2	SA	1
3-1	4		DB61-05330A	CASE-BOTTOM; MIM-B14,ABS,T2,L118,EBONY BL	SNA	1
3-2	4		DB61-05331A	CASE-TOP; MIM-B14,ABS,T2,L96.1,EBONY BLAC	SA	1
3-3	4		DB61-06966A	BRACKET-HOLDER; FCU,JSF1,JSF2,GI-SGCC,T1,	SA	1
3-4	4		DB62-11392A	SEAL PLATE; POLYESTER,T1,W30,L50	SA	3
3-5	4		DB62-12526A	SEAL COVER-BOTTOM; EPDM,T20,W15	SNA	2
3-6	4	A0694	DB92-04284A	ASSY PCB SUB; SUB,FCU,50*80,N,2/3WAY-VALV	SA	1
3-7	4	A0664	DB93-16572B	ASSY CONNECTOR WIRE-POWER; 2,1015,22,BRN,	SA	1
3-8	4		DB93-16574B	ASSY CONNECTOR WIRE-DC SIGNAL; 6,2095,26,	SA	1
4	3		DB92-04847A	ASSY PBA KIT-IN MODULE; FCU BLDC WIND FRE	SNA	1
4-1	4	A1767	DB92-04281B	ASSY PCB MAIN-IN; MAIN,FCU,260*70,220~240	SA	1
4-1-1	5		DB94-07959A	ASSY PCB AUTO-IN; MAIN,FCU,260*70,Y,220~2	SNA	1
4-1-1-1	6		DB94-07960A	ASSY PCB SMD-IN; MAIN,FCU,260*70,Y,220~24	SNA	1
4-1-2	5		DB65-00320A	TERMINAL BLOCK; DAPC-2009,BRASS,55.5x6.5x	SNA	1
4-1-3	5	A0694	DB92-04020A	ASSY PCB SUB; SUB,-,20*25,-,-,-,Indoor EE	SA	1
4-2	4		DB93-14037A	ASSY CONNECTOR WIRE-DC SIGNAL; 10,2095,26	SA	1
4-3	4		DB92-02793A	ASSY FUNCTION; COMM,DVM NASA_CST,Standard	SA	1
4-4	4	A0696	DB93-13968D	ASSY CONTROL IN; AC032RN1DBH1,FCU, JSF1	SA	1
4-4-1	5		DB61-05699A	PLATE-CASE SUB; ADN0401DBHB1,EGI-SECC,T0.	SA	1
4-4-2	5		DB61-05696A	CASE CONTROL-IN; AM036FN1DEH/EU,MPPE,T2.5	SA	1
4-4-3	5		DB63-01576D	COVER-BUSHING; AXD-A22K200X,PA66,T3.5,W4.	SA	1

No.	Lvl.	Loc.	Material Code	Description & Specification	SNA	Qty.
4-4-4	5		DB73-00307B	RUBBER-WIRE HOLE; ADX100VAGHA/SC,CHLOROPR	SA	1
4-4-5	5	A0646	DB93-11254A	ASSY CONNECTOR WIRE-EARTH; 1,1015,18,YEL/	SA	1
4-4-6	5	A2554	DB95-05009B	ASSY THERMISTOR; AC,250,10,3,25,-	SA	1
4-4-7	5	H0344	DB61-00250A	HOLDER-WIRE CLAMP; AF25M9970DBX,PA66,BLAC	SA	1
5	3	A2303	DB94-08372A	ASSY TRAY DRAIN; JSF1,FCU	SA	1
5-1	4		DB61-03127A	BRACKET-PAN; -,GI-SGCC,T1,-,-,-,-,-,-,-	SA	4
5-2	4		DB73-00133B	RUBBER-CAP DRAIN SOCKET; EPDM	SA	1
6	3		DB94-01492C	ASSY DRAIN PAN-SUB; NJ0401VXN1,JSF PJT	SA	1
7	3		DB96-00009K	ASSY EVAP PARTS; AG032MN1DBH1,FCU, JSF1	SNA	1
7-1	4	A1062	DB96-08129F	ASSY EVAP-UNIT; AG032MN1DBH1,FCU, JSF1	SA	1
7-1-1	5		DB96-07901D	ASSY EVAP-SUB; AG032MN1DBH1,FCU, JSF1	SNA	1
7-1-1-1	6	A1008	DB75-00404D	ASSY EVAP; AG032MN1DBH1,FCU, JSF1	SNA	1
7-1-2	5		DB96-23730A	ASSY TUBE EVAP-IN; AG032MN1DBH1,FCU, JSF1	SNA	1
7-1-3	5		DB96-23731A	ASSY TUBE EVAP-OUT; AG032MN1DBH1,FCU, JSF	SNA	1
7-1-3-1	6		DB62-12492A	SEAL TUBE-OUT; PE FOAM,T7	SNA	1
7-2	4	S0242	DB81-00635A	SPRING ETC-SENSOR; DVM-SYSTEM,STS304,R2.5	SA	2
7-3	4		DB95-05011A	ASSY THERMISTOR IN-EVA IN OUT; SMH200-06H	SA	1
8	3		DB94-04697A	ASSY DRAIN PUMP; AM020FN1DBH1	SNA	1
8-1	4		DB90-03144B	ASSY COVER-PUMP; AM036FN1DEH/EU,NASA DVM	SA	1
8-1-1	5	C1564	DB63-01699A	COVER-PUMP; AIXCSH040B1,ABS,T2,-,-,-,-,-	SA	1
8-1-2	5	A2012	DB95-01359D	SWITCH FLOAT; 430.5mm,8.5,250mm,SMH250-	SA	1
8-2	4		DB67-01166B	PUMP DRAIN; 400cc/min,-,1200mm,UL224,L550	SA	1
8-3	4		DB73-00391D	RUBBER-CAP PUMP; AIXCSC032B1,EPDM,40,GRAY	SA	1
9	2		DB94-01904E	ASSY DRAIN HOSE; AM056FN2DEH/TK,UAE STAND	SNA	1
9-1	3	A3028	DB94-01258C	ASSY HOSE DRAIN-JOINT; -,-,280,N,R22,-,AF	SA	1